

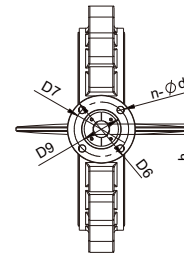
Electric Butterfly Valves

PN16/235PSI/Class125

220V/ 380V • Multi-stage Aluminum Alloy Housing
 Asynchronous Motor • Precision Gear
 Moisture-proof Heating Resistor • Epoxy Resin Coating
 90° Rotation • IP67 Protection
 Lug Style, Flange Dimension EN1092-2, ANSI B16.1 Class 125



HB960/S-EH/ RH
 2" - 12"



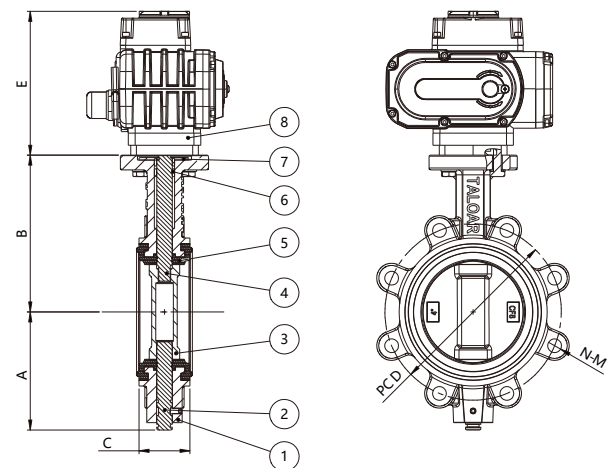
Sealing Performance	
EPDM	-20°C- 120°C
NBR	-10°C- 80°C
VITON	-20°C- 150°C

Hydraulic Pressure Test	
Body	2.4Mpa/24Bar
Seat	1.76Mpa/17.6Bar

Materials List

No	Part	Specification	BS EN	ASTM
1	Body	Ductile Iron	BSEN 1563	A536 65-45-12
2	Bottom Stem	Stainless Steel	BSEN 10088-1	A582 420
3	Disc	Ductile Iron	BSEN 1563	A536 65-45-12
		Stainless Steel	BS970 304S15	CF8
		Aluminum Bronze	1400AB2	B148 Ay 954
4	Upper Stem	Stainless Steel	BSEN 10088-1	A582 420
5	Seat	EPDM	EPDM	EPDM
		NBR	NBR	NBR
		VITON	VITON	VITON
6	Bushing	Composite Material	PTFE&Bronze	PTFE&Bronze
7	Retaining Cap	Steel	BSEN 10087	A307
8	Electric Actuators	Other		

* Figure number - EH for ON/OFF control, - RH for regulating control,
 4~20mA or 0~10V, Please specify when ordering.



Dimensions

mm	50	65	80	100	125	150	200	250	300
In	2	2½	3	4	5	6	8	10	12
A	78	90	99	120	134	142	178	203	240
B	120	137	145	160	175	189	220	250	290
C	43	46	46	52	56	56	60	68	78
E	150	150	150	168	168	168	204	204	240
PCD	125	145	160	180	210	240	295	355	410
N-M	4-M16	4-M16	8-M16	8-M16	8-M16	8-M20	12-M20	12-M24	12-M24
h	9	9	9	11	14	14	17	22	24
D6	90	90	90	90	90	90	125	125	125
D7	70	70	70	70	70	70	102	102	102
D9	55	55	55	55	55	55	70	70	70
n-φd	4-10	4-10	4-10	4-10	4-10	4-10	4-12	4-12	4-12
ISO5211	F07	F07	F07	F07	F07	F07	F10	F10	F10

Note: Steam services are not recommended.